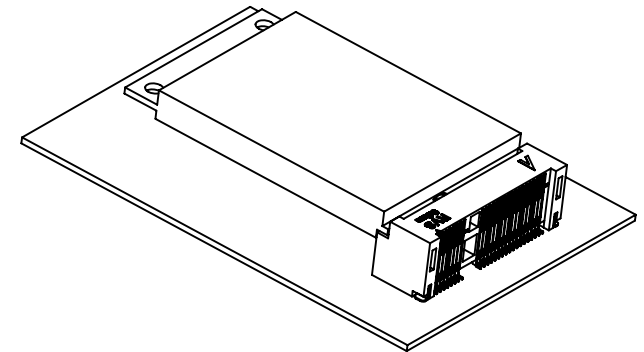


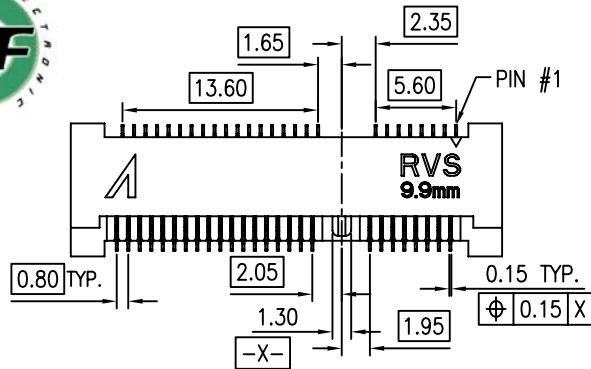
TYPE	DIM C
Half-Mini Card	23.90
Full-Mini Card	48.05

NOTES:

- MATERIAL:
 - HOUSING: THERMOPLASTIC, HIGH TEMP., UL94V-0; LCP E6807L, BLACK
 - CONTACT: PHOSPHOR BRONZE C5191R-EH
 - FITTING NAIL: BRASS C2680
- FINISH:
 - CONTACT: PLS. SEE ORDER INFORMATION (R.o.H.S COMPARED) UNDERPLATED: NICKEL OVERALL
 - FITTING NAIL: 100u" MIN. MATT TIN PLATING ON SOLDER TAILS. 50u" MIN. NICKEL UNDERPLATING OVERALL.
- REFLOW SOLDER CAPABLE TO 260° C PER ACES SPEC.
- THE MODULE CARD REFERENCE MINIPCI EXPRESS CARD ELECTROMECHANICAL SPECIFICATION
- DATUM D IS THE TOP SURFACE OF PCB
- SPEC. PLS. REFER TO PS-51700-xxxx
- PACKING SPEC. PLS. REFER TO 51721-XXXX-TRP



一般公差 TOLERANCES		宏致電子股份有限公司 Aces Electronic Co., Ltd.	
X ±0.5	.XX ±0.15	品名 (TITLE)	製圖 (DR)
X ±0.25	.XXX ±0.1	MINI PCI EXP. RVS TYPE	11/01/17
ANGLES ±2°		0.8mm PITCH H=9.90mm	審核 (CHKD)
檢驗尺寸標示	SYMBOLS ⊕ ⊕ INDICATE CLASSIFICATION DIMENSION	圖號 (DWG.NO)	51721-XXXXX-XXX
⊕ MARK IS CRITICAL DIM.	⊕ MARK IS MAJOR DIM.	比例 (SCALE)	單位 (UNITS)
表面處理 (FINISH)	2:1	mm	張數 (SHEET)
			1 OF 3
			SIZE
			A4
			REV
			D
			核准 (APPD)
			Jason
			審核 (CHKD)
			Sam
			製圖 (DR)
			Brave



PART NUMBER

PART NUMBER

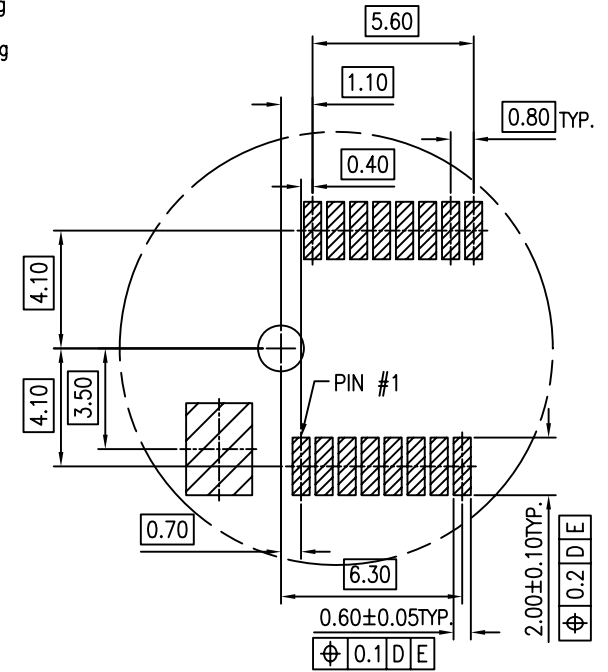
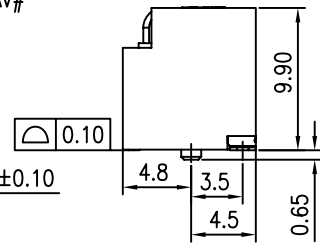
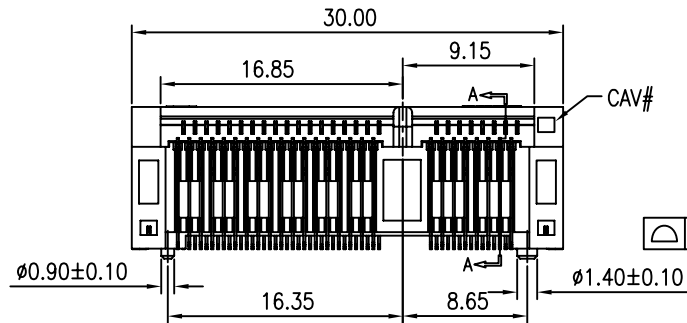
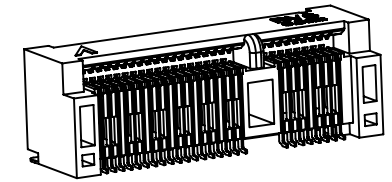
51721 - XXX X X - XXX

POS.
052. 52 PIN

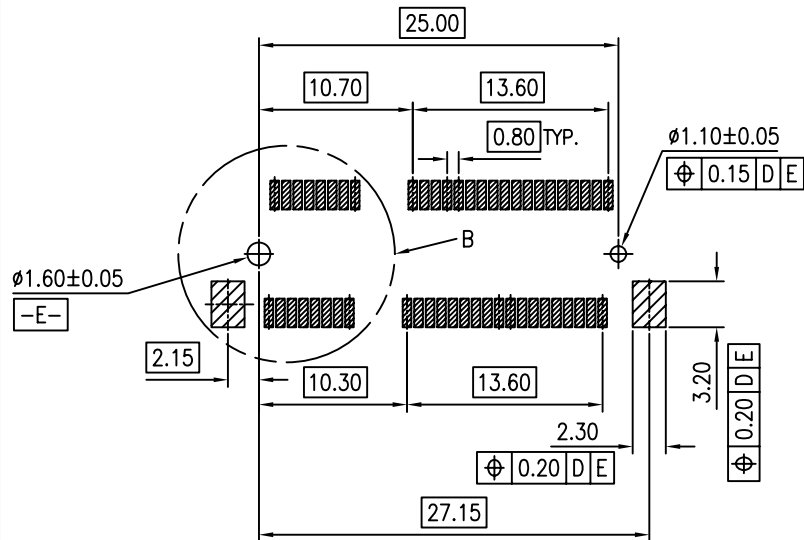
PACKAGE
1. TUBE
0. TAPR & REEL

PLATING
W. 1u" Gold on contact and solder for selectiveness plating
T. 10u" Gold on contact and solder for selectiveness plating

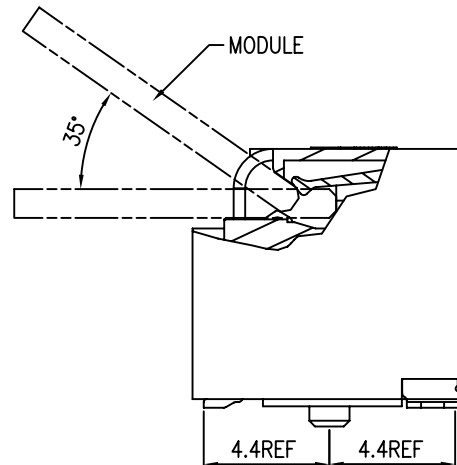
XXX	COLOR	Halogen Free	Tape&Reel
001	BLACK	HF	51721-052XX
002	BLACK	HF	51721-052XX2



DETAIL B
SCALE 4:1

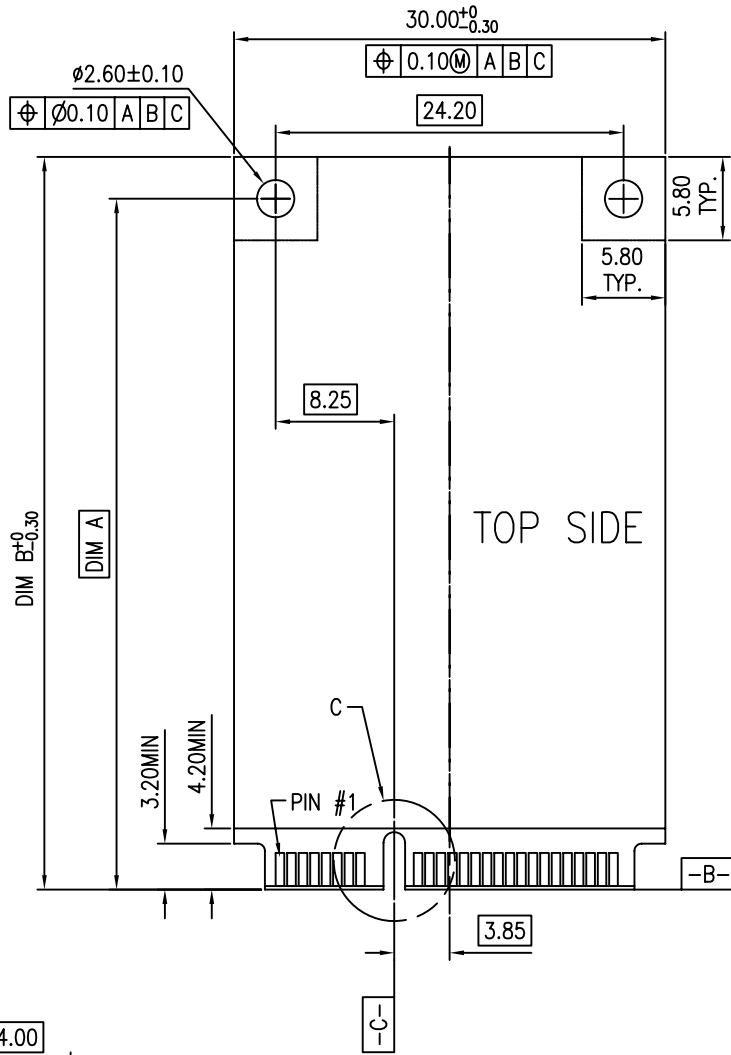


CONNECTOR LAYOUT

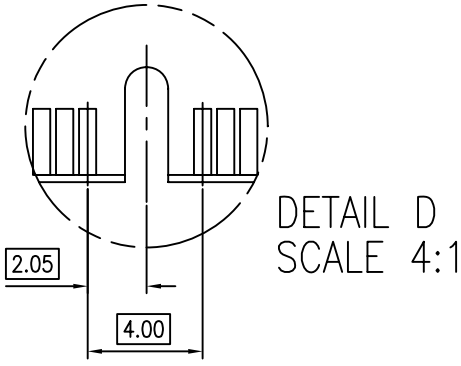
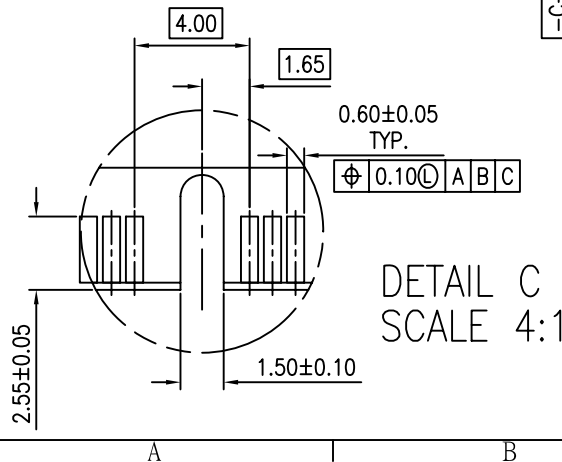
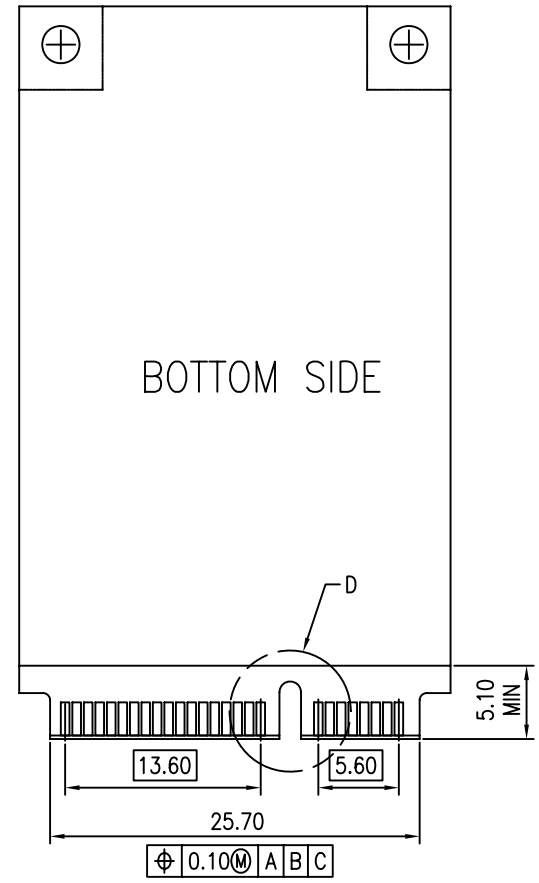
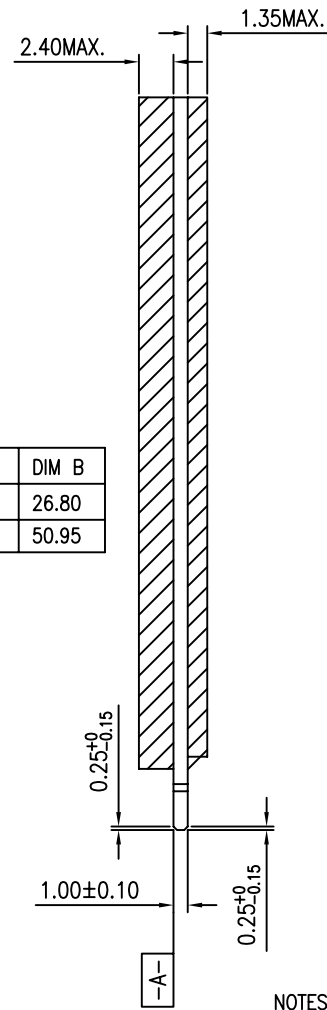


SECTION A-A
SCALE 4:1

一般公差 TOLERANCES		宏致電子股份有限公司 Aces Electronic Co.,Ltd.	
X ±0.5	XX ±0.15	品名 (TITLE)	製圖 (DR)
X ±0.25	XXX ±0.1	MINI PCI EXP. RVS TYPE	11/01/17
ANGLES ±2°		0.8mm PITCH H=9.90mm	Brave
檢驗尺寸標示	SYMBOLS ⊕ ⊗ INDICATE CLASSIFICATION DIMENSION	圖號 (DWG.NO)	審核 (CHKD)
⊕ MARK IS CRITICAL DIM.	⊗ MARK IS MAJOR DIM.	51721-XXXXX-XXX	Sam
表面處理 (FINISH)	比例 (SCALE) 單位 (UNITS)	2:1 mm	核准 (APPD)
			Jason
			張數 (SHEET)
			2 OF 3
			SIZE
			A4
			REV
			D



TYPE	DIM A	DIM B
Half-Mini Card	23.90	26.80
Full-Mini Card	48.05	50.95



- NOTES:
1. PIN NUMBERING REFERENCE:
ODD PINS: TOP SIDE
EVEN PINS: BOTTOM SIDE

一般公差 TOLERANCES X ±0.5 XX ±0.15 X ±0.25 XXX ±0.1 ANGLES ±2°		宏致電子股份有限公司 Aces Electronic Co.,Ltd.	
檢驗尺寸標示 SYMBOLS ⊕ ⊕ INDICATE CLASSIFICATION DIMENSION ⊕ MARK IS CRITICAL DIM. ⊕ MARK IS MAJOR DIM.	品名 (TITLE) MINI PCI EXP. RVS TYPE 0.8mm PITCH H=9.90mm 圖號 (DWG.NO) 51721-XXXXX-XXX	製圖 (DR) 11/01/17 審核 (CHKD) Sam 核准 (APPD) Jason	Brave 3 OF 3 SIZE A4 REV D
表面處理 (FINISH)	比例 (SCALE) 2:1 單位 (UNITS) mm	張數 (SHEET) 3 OF 3	